

EXPLODED VIEW

MITO 4 OFF MITO 4 OFF-H

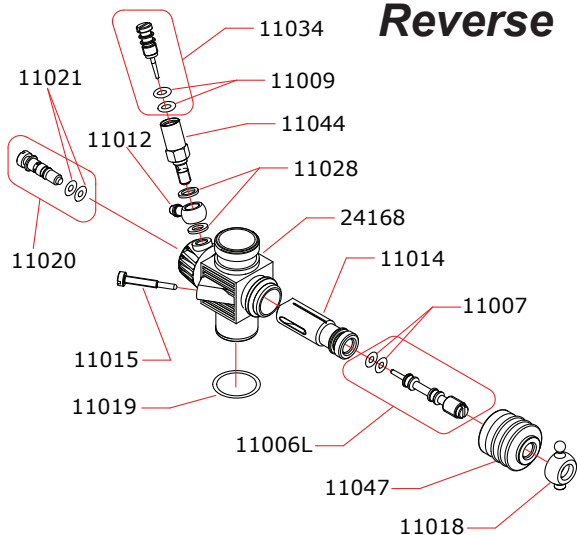
NOVAROSSO WORLD S.r.l.

Via Europa, 20/A - 25040 Monticelli Brusati (BS) - ITALIA
 web: www.novarossi.it | e-mail: info@novarossi.it
 Tel. +39 030/6850316 | Fax: +39 030/6850314

I disegni sono puramente indicativi / Drawings are just indicative.

Data ultima modifica:
 Date of last modification:
16-10-2018

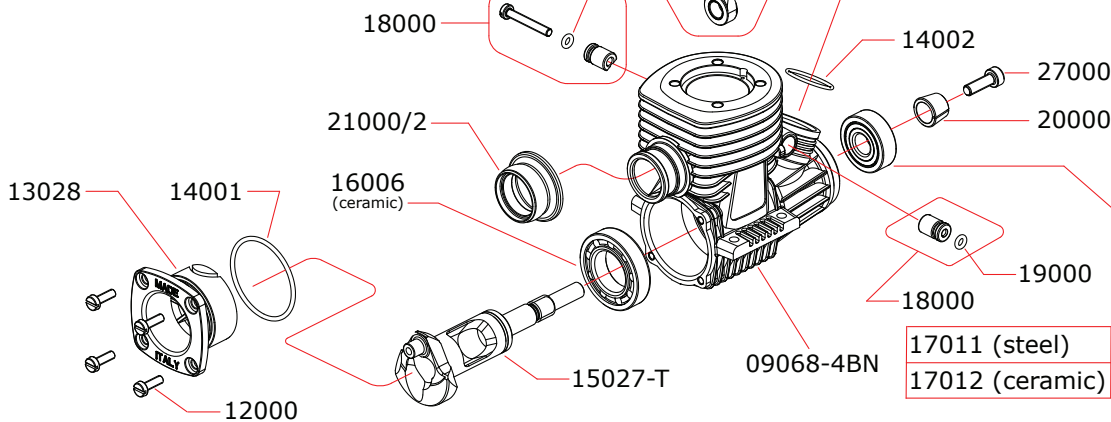
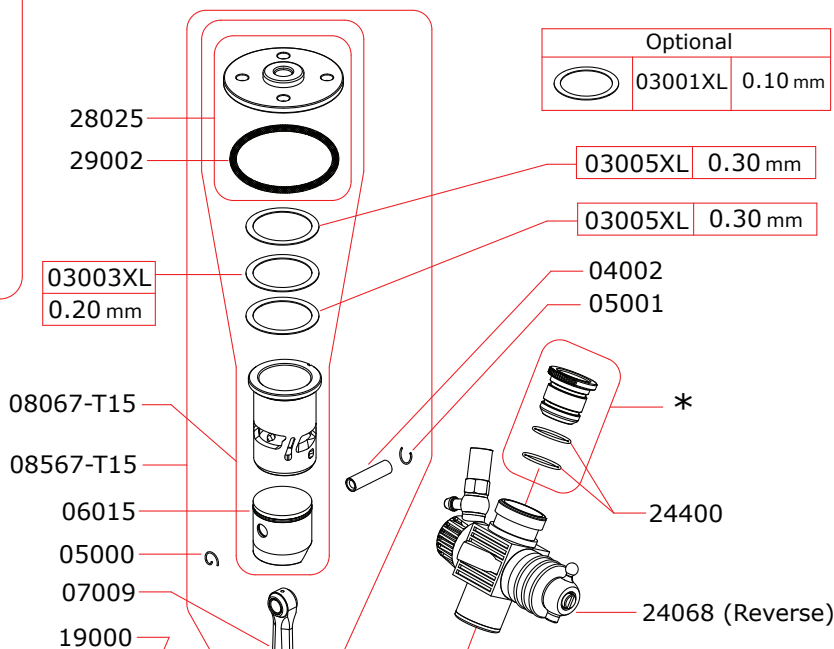
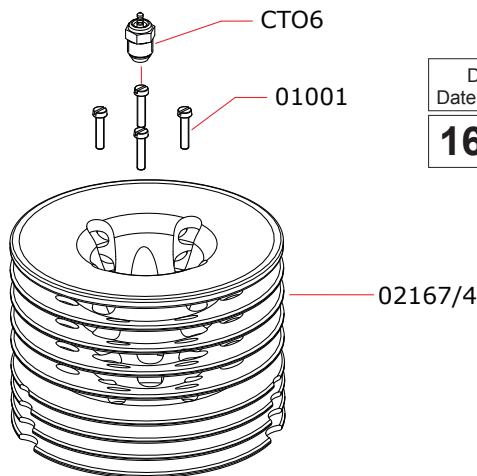
CARBURETTOR CODE: 24068 Reverse



*

	24454-A	Ø5.4mm
	24460-A	Ø6.0mm
	24465-A	Ø6.5mm
	24470-A	Ø7.0mm

	60007	SPECIAL SPRING
--	-------	----------------



Pipes Recommended

	51006M (EFRA 9901)	With ring, 3 chambers reinforced tube
	51020M (EFRA 2096)	With ring, 3 chambers reinforced tube, IFMAR WC
	51016 (EFRA 9901)	With ring, 3 chambers stronger walls

Manifolds Recommended

	41021	Short, 2 rings
	41029	Compact short, 2 rings for Mugen cars
	41030	Compact long, 2 rings for Mugen cars