

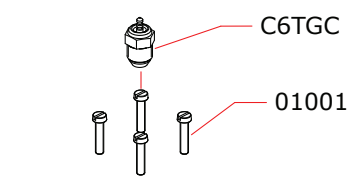
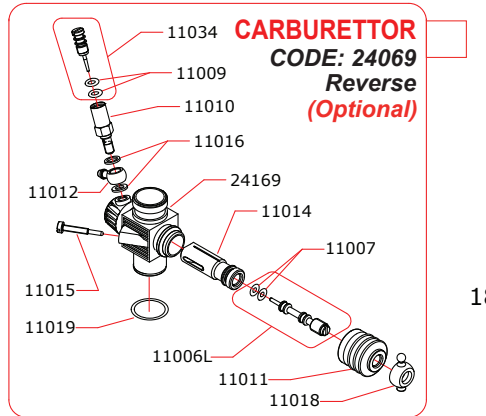
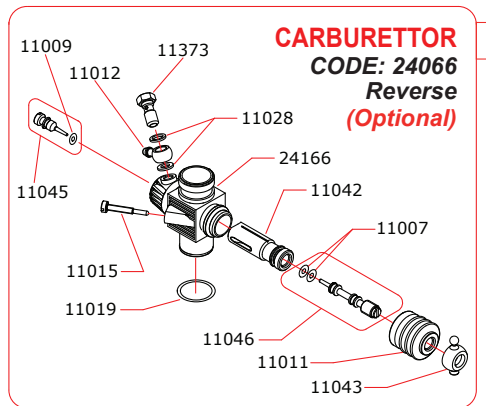
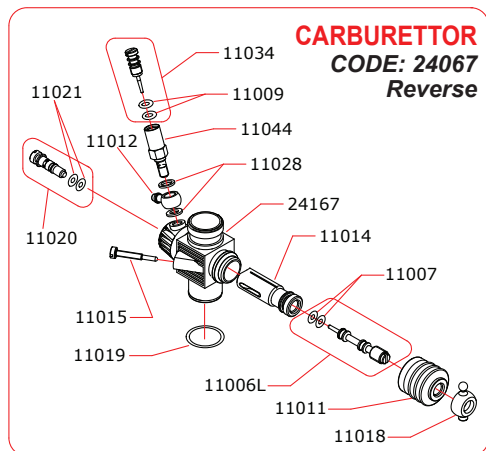
# EXPLODED VIEW

## KEEP-OFF.21-4 KEEP-OFF.21-4S

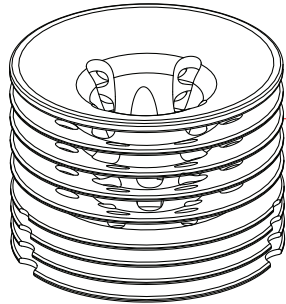
**NOVAROSSİ WORLD S.r.l.**

Via Europa, 20/A - 25040 Monticelli Brusati (BS) - ITALIA  
web: www.novarossi.it | e-mail: info@novarossi.it  
Tel. +39 030/6850316 | Fax: +39 030/6850314

*I disegni sono puramente indicativi / Drawings are just indicative.*

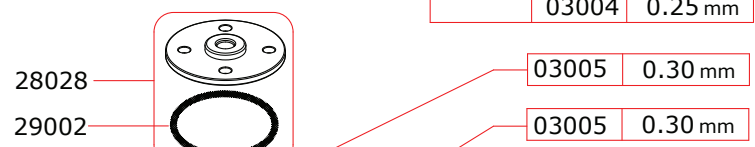


Data ultima modifica:  
Date of last modification:  
**25-09-2017**

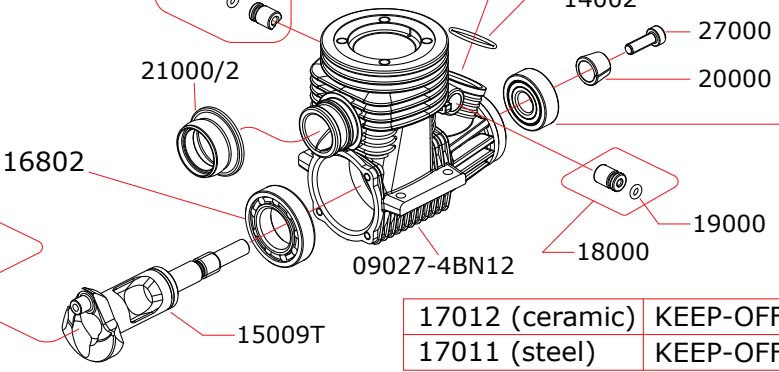
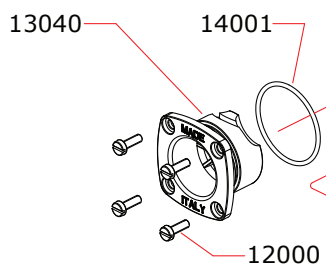
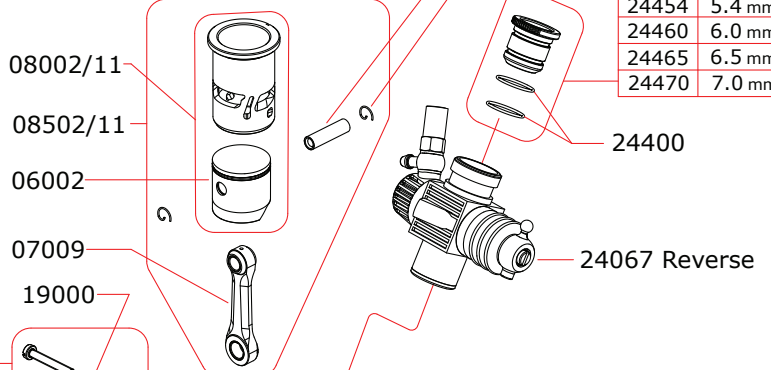


02157-12C	KEEP-OFF.21-4
02157-12CS	KEEP-OFF.21-4/S

Optional		
	03002	0.15 mm
	03001	0.10 mm
	03004	0.25 mm



24454	5.4 mm
24460	6.0 mm
24465	6.5 mm
24470	7.0 mm



17012 (ceramic)	KEEP-OFF.21-4/S
17011 (steel)	KEEP-OFF.21-4

### Pipes Recommended

	51006M (EFRA 9901)	With ring, 3 chambers reinforced tube
	51020M (EFRA 2096)	With ring, 3 chambers reinforced tube, IFMAR WC
	51016 (EFRA 9901)	With ring, 3 chambers stronger walls

### Manifolds Recommended

	41021	Short, 2 rings
	41029	Compact short, 2 rings for Mugen cars
	41030	Compact long, 2 rings for Mugen cars